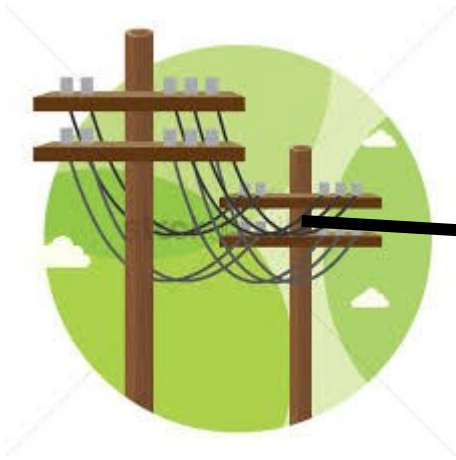
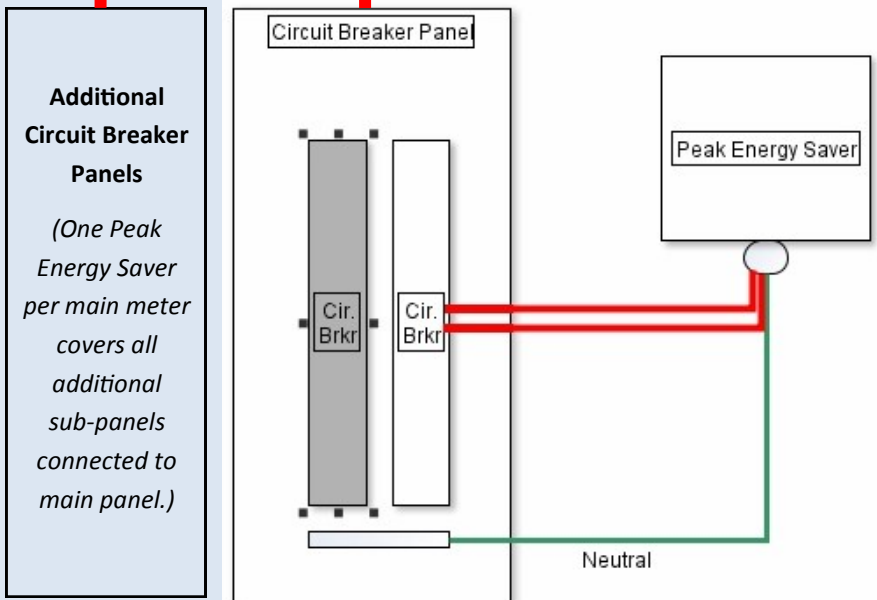


Simple Installation Illustration for the Peak Energy Saver



Simple Schematic

Drawing **below**; illustration of the same schematic drawing on **right**



(Two red wires from the Peak Energy Saver connect to the dedicated breaker installed in the breaker box.)

(One green wire connects to the neutral in the breaker box.)

Where do I install Peak Energy Savers?

The Peak Energy Saver installs next to the breaker box (after the meter) using a 2 pole 15 amp breaker. Because we are installed in the breaker box via a dedicated 2 pole breaker, the Peak Energy Saver is running parallel with everything in that breaker box and any sub-panels connected to main breaker box.

The Peak Energy Saver uses a NEMA 3R metal enclosure and is rated for indoor or outdoor installation.

Money Back Guarantee

We guarantee you will save 10% on your kWh usage or we will buy back your Peak Energy Saver(s). We prove your savings with a savings analysis using your bills, any normalizing factors that apply and weather comparison.

We typically see 15-20% savings in homes and businesses.

How many Peak Energy Savers do I need?

For single phase, you will need (1) Peak Energy Saver for **each main meter** included in your bills for your home or business. You might need more than one Peak Energy Saver if your kWh usage exceeds 15,000 kWh a month. *A Peak Energy Saver may not be needed on homes using less than \$100 a month in kWh charges.*



See video demo at www.peakenergytech.com

For information, call: 888-613-7775